

350mm centres – staggered

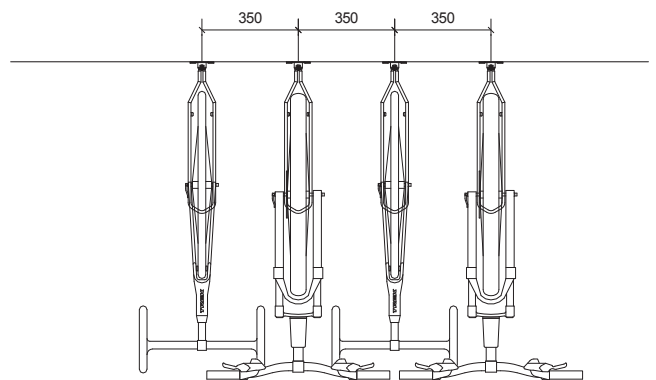
This is the most utilised option due to the fact that many more bikes are able to be parked in the same space without any notable loss of functionality or ease of use.

At spacings of 350mm centres the bikes handlebars and pedals will overlap the bikes adjacent. However utilising the Steadyrack patented pivot design the users are able to move aside bikes either side of their own and create an access space to load and unload their bikes without risk of contacting the bikes adjacent. This spacing is not possible with conventional static bike racks which rely on a hook design.

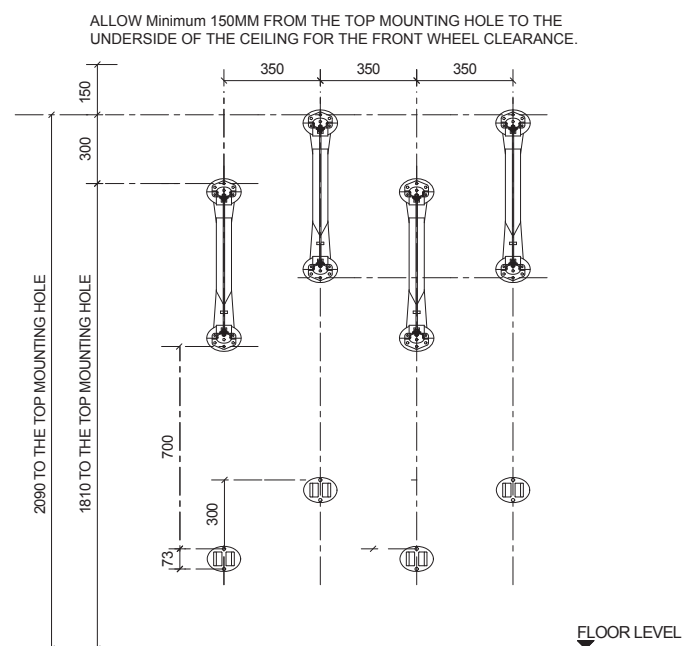
NB: The closer the rear tyres of the bikes are to the floor when mounted in the racks the easier it is to load and unload bikes. The mounting heights provided in these guides have been proven to work over many installations and allow for longer wheelbase bikes in general. These typically include mountain bikes and hybrid or commuter bikes. Road bikes and smaller hybrid and mountain bike can be mounted 100mm lower than these suggested heights. If you are designing a large installation it is possible to provide separate rows of racks or bays for shorter bikes and for longer bikes. Please contact Steadyrack or one of our team for more information.



Information 350mm centres - staggered



PLAN VIEW



ELEVATION VIEW

Bike parking designers do not know in advance exactly what types of bikes will be utilising the facility. To address this issue we have created these 2 SPACING GUIDES to assist in the design and planning of new bike parking facilities.

EACH OF THESE GUIDES WILL ALLOW YOU TO CATER FOR ALMOST ALL BIKE TYPES AND SIZES. As well as our wall mounted bike racks we also recommend as a safeguard designers include a small percentage of Steadyrack floor racks to cater for any bikes that are not suitable for hanging vertically.

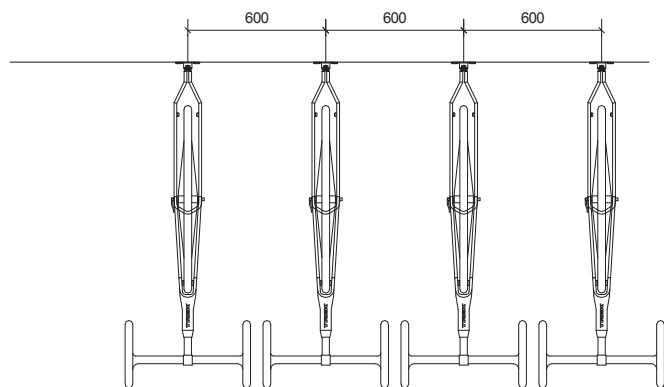
600mm centres - non - staggered

We recommend 600mm as an optimum spacing between the racks when all racks are at the same height. This spacing will ensure that the bikes handlebars do not overlap each other and will allow the user to pivot the bikes much closer to the wall or frame thereby utilising less access lane space.

NB: The closer the rear tyres of the bikes are to the floor when mounted in the racks the easier it is to load and unload bikes. The mounting heights provided in these guides have been proven to work over many installations and allow for longer wheelbase bikes in general. These typically include mountain bikes and hybrid or commuter bikes. Road bikes and smaller hybrid and mountain bike can be mounted 100mm lower than these suggested heights. If you are designing a large installation it is possible to provide separate rows of racks or bays for shorter bikes and for longer bikes. Please contact Steadyrack or one of our team for more information.

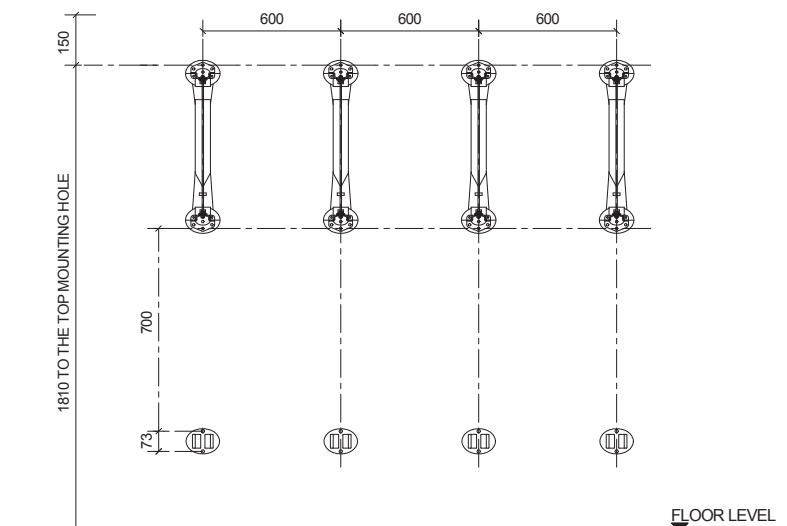


600mm centres - non-staggered



PLAN VIEW

ALLOW Minimum 150MM FROM THE TOP MOUNTING HOLE TO THE UNDERSIDE OF THE CEILING FOR THE FRONT WHEEL CLEARANCE.



ELEVATION VIEW

CLASSIC RACK

FENDER RACK

FAT RACK

The perfect mounting height is achieved when a bike is hanging in the rack and the rear wheel is close to the floor but not touching. This ensures the least amount of rise to load the bike. Bikes come in different lengths depending on type and brand. The overall length or wheelbase of the bikes determines the mounting heights, which is why we suggest measuring your bikes (see installation guide). The recommended mounting heights in this diagram below will allow for both shorter and longer wheelbase bikes. If you know the types of bikes you would like to accommodate we can provide additional information on mounting heights to ensure you are able to achieve the maximum functionality and ease of use for the end users. Please contact an authorised Steadyrack Bike parking dealer or Steadyrack direct for more information.

The diagram below shows the recommended mounting height for commercial applications.

